

PATENT ABSTRACTS OF JAPAN

(11)Publication number : **2001-352533**

(43)Date of publication of application : **21.12.2001**

(51)Int.Cl. **H04N 7/173**
H04L 12/56
H04L 29/10
H04N 7/24

(21)Application number : **2000-170320**

(71)Applicant : **KDDI CORP**

(22)Date of filing : **07.06.2000**

(72)Inventor : **MORIKAWA HIROO**

OTA SHINJI

SAKASAWA SHIGEYUKI

NAKAMURA HAJIME

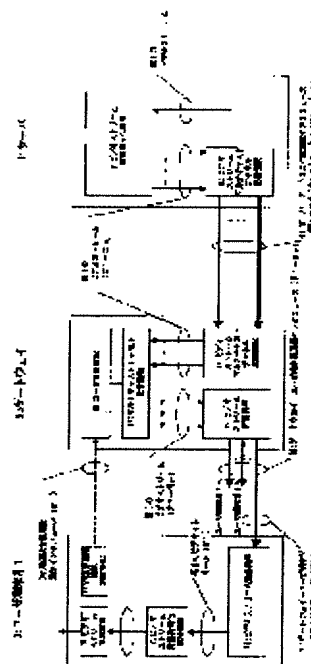
WARABINO TAKAYUKI

(54) HIERARCHICAL CODING VIDEO DISTRIBUTION SYSTEM

(57)Abstract:

PROBLEM TO BE SOLVED: To provide a hierarchical coding video distribution system where there is no limitation on a processing capability of a user terminal when the user terminal at a receiver side applies reception, synthesis and display processing to IP multicast channels that are hierarchically divided.

SOLUTION: The hierarchical coding video distribution system is provided with: a server that hierarchically separates a 1st video stream into m-sets of 2nd video streams and uses a 1st multicast channel to distribute them, a gateway that uses m-sets of 1st multicast channels to receive the 2nd video streams, integrates and processes the m-sets of the 2nd video streams into 3rd video streams for n-sets of 3rd video streams on the basis of a desired integral hierarchy number indicated by user terminals and distributes them to the user terminals, and the user terminals each of which receives the 3rd video stream, decodes it and displays the signal.



LEGAL STATUS

[Date of request for examination] **06.02.2003**

[Date of sending the examiner's decision of rejection]

[Kind of final disposal of application other than the examiner's decision of rejection or application converted registration]

[Date of final disposal for application]

[Patent number]

[Date of registration]

[Number of appeal against examiner's decision
of rejection]

[Date of requesting appeal against examiner's
decision of rejection]

[Date of extinction of right]

* NOTICES *

JPO and INPIT are not responsible for any damages caused by the use of this translation.

- 1.This document has been translated by computer. So the translation may not reflect the original precisely.
- 2.**** shows the word which can not be translated.
- 3.In the drawings, any words are not translated.

CLAIMS

[Claim(s)]

[Claim 1] The separation means which carries out hierarchy separation of the 1st video stream at the 2nd video stream of m ($m \geq 1$) individual, The server which has a distribution means to distribute the 2nd video stream of these m individuals using the 1st multicast channel, respectively, A receiving means to receive said each 2nd video stream using said 1st m multicast channel, The integrated means which carries out integrated processing of said 2nd m video stream to the user terminal of n ($n \geq 1$) individual at each 3rd video stream based on the number of request integrated hierarchies shown from a user terminal, n pieces — this — with the gateway which has a distribution means to distribute the 3rd video stream a receiving means to receive said 3rd one video stream — this — the hierarchy coding video distribution system characterized by having the user terminal which has a decode means to decode the 3rd video stream, and a display means to display the this decoded signal.

[Claim 2] Said user terminal is a system according to claim 1 characterized by to have further a decision means the data processing capacity of this user terminal and the communication facility of this user terminal compute a request bit rate from the communication-band utilization condition of two or more communication link applications of operating on an available communication band and/or this user terminal, determines that the number of integrated hierarchies will become the greatest bit rate to which the bit rate of said 3rd video stream does not exceed this request bit rate, and notify this number of integrated hierarchies to said gateway.

[Claim 3] Said distribution means of said gateway distributes said 3rd n video stream using the 2nd multicast channel, respectively. Said receiving means of said user terminal said 2nd one multicast channel — identifying — this — by notifying the registration to the 2nd multicast channel to said gateway The system according to claim 1 or 2 characterized by enabling modification of the number of integrated hierarchies at initiation and the halt list of reception of said 3rd video stream.

[Claim 4] It is the system according to claim 1 or 2 characterized by for said distribution means of said gateway distributing said 3rd n video stream using the 1st unicast channel, respectively, and said receiving means of said user terminal enabling modification of the number of integrated hierarchies at the initiation and the halt list of reception of the 3rd video stream which are distributed using said unicast channel.

[Claim 5] The separation means which carries out hierarchy separation of the 1st video stream at the 2nd video stream of m ($m \geq 1$) individual, The integrated means which carries out integrated processing of said 2nd m video stream to the user terminal of n ($n \geq 1$) individual at each 3rd video stream based on the number of request integrated hierarchies shown from a user terminal, n pieces — this — with the server which has a distribution means to distribute the 3rd video stream a receiving means to receive said 3rd one video stream — this — the hierarchy coding video distribution system characterized by having the user terminal which has a decode means to decode the 3rd video stream, and a display means to display the this decoded signal.

[Claim 6] Said user terminal is a system according to claim 5 characterized by to have further a decision means the data processing capacity of this user terminal and the communication facility

of this user terminal compute a request bit rate from the communication-band utilization condition of two or more communication link applications of operating on an available communication band and/or this user terminal, determines that the number of integrated hierarchies will become the greatest bit rate to which the bit rate of said 3rd video stream does not exceed this request bit rate, and notify this number of integrated hierarchies to said server. [Claim 7] Said distribution means of said server distributes said 3rd n video stream using the 2nd multicast channel, respectively. Said receiving means of said user terminal said 2nd one multicast channel -- identifying -- this -- by notifying the registration to the 2nd multicast channel to said server The system according to claim 5 or 6 characterized by enabling modification of the number of integrated hierarchies at initiation and the halt list of reception of said 3rd video stream.

[Claim 8] It is the system according to claim 5 or 6 characterized by for said distribution means of said server distributing said 3rd n video stream using the 1st unicast channel, respectively, and said receiving means of said user terminal enabling modification of the number of integrated hierarchies at the initiation and the halt list of reception of the 3rd video stream which are distributed using said unicast channel.

[Translation done.]

* NOTICES *

JPO and INPIT are not responsible for any damages caused by the use of this translation.

- 1.This document has been translated by computer. So the translation may not reflect the original precisely.
- 2.**** shows the word which can not be translated.
- 3.In the drawings, any words are not translated.

DETAILED DESCRIPTION

[Detailed Description of the Invention]

[0001]

[Field of the Invention] This invention relates to the efficient dynamic-image distribution system according to the capacity of a receiving-side user terminal, and the rate of the communication line in IP networks, such as the Internet, intranet, and a mobile communication packet.

[0002]

[Description of the Prior Art] Conventionally, since the video distribution system using an IP multicast can reduce the load of a transmitting-side server, or the amount of data on a network compared with the video distribution system using IP unicast, the utilization range is spreading in the Internet or intranet.

[0003] However, in the video distribution system using a simple IP multicast, the response according to individual according to the capacity and line speed of a receiving-side user terminal cannot be performed. So that suitable information can be received for every receiving-side terminal for this reason, a server side One video stream containing the data which are needed for video recovery at worst in the original video stream, It divides into two or more video streams containing the data for raising image quality. Only the multicast channel which transmits by the separate multicast channel for every video stream, and is needed from a receiving-side user terminal by requiring of a junction router The multicast channel according to each receiving-user terminal is received, and the hierarchical video distribution system which made it possible to compound and display the video stream on a multicast channel is proposed and put in practical use. As reference S. Sakazawa and Y.Takishima, M. Wada and KAmamo, Bandwidth-Adaptive VideoTransmission Method for Heterogeneous Network Environment and Proceedings of International Workshop on New Video Media Technology and pp.49-54 Shigeyuki Sakasawa (1997), **** Yasuhiro, Masahiro Wada: There are the coding transmission control method in a video multicast, the Institute of Image Information and Television Engineers, Vol.52, No.6, and pp.863-870 (1998).

[0004]

[Problem(s) to be Solved by the Invention] However, in the system of a configuration of having mentioned above, carry out hierarchy separation of the transmitting video stream, and it transmits by two or more multicast channels. Although the limit with the throughput of a receiving-side user terminal and line speed is eased by compounding and displaying the video stream from the multicast channel registered according to the demand of a receiving-side user terminal by the receiving-side user terminal Like a small personal digital assistant, when the throughput of a receiving user terminal is low, it is difficult to perform composition and display processing of reception of two or more multicast channels and two or more video streams. Moreover, according to the throughput and communication line rate of a receiving-side user terminal, it is necessary to set up the distribution amount of data of a desired video stream by the user side.

[0005] Then, in case this invention performs reception of two or more IP multicast channels which carried out hierarchy division in the receiving-user terminal, composition, and display processing, it aims at removing the trouble that there is constraint on the throughput of a user

terminal.

[0006]

[Means for Solving the Problem] The system of this invention is characterized by preparing a multicast channel composition processing facility in the gateway or the server arranged on a communication network. Moreover, it is characterized by establishing the advice interface which makes it possible to distribute the multicast data for an integrated hierarchy accommodative with modification of the data processing capacity of a user terminal, and/or a communication line rate by notifying the number of integrated hierarchies according to the request bit rate called for from the capacity and the communication line rate of a receiving-user terminal to the gateway or a server.

[0007] Therefore, the hierarchy coding video distribution system of this invention The separation means which carries out hierarchy separation of the 1st video stream at the 2nd video stream of m ($m \geq 1$) individual, The server which has a distribution means to distribute the 2nd video stream of these m individuals using the 1st multicast channel, respectively, A receiving means to receive each 2nd video stream using the 1st m multicast channel, The integrated means which carries out integrated processing of the 2nd m video stream to the user terminal of n ($n \geq 1$) individual at each 3rd video stream based on the number of request integrated hierarchies shown from a user terminal, n pieces — this — the gateway which has a distribution means to distribute the 3rd video stream, and a receiving means to receive the 3rd one video stream — this — it has the user terminal which has a decode means to decode the 3rd video stream, and a display means to display the this decoded signal.

[0008] Moreover, a separation means by which the system of this invention carries out hierarchy separation of the 1st video stream at the 2nd video stream of m ($m \geq 1$) individual, The integrated means which carries out integrated processing of the 2nd m video stream to the user terminal of n ($n \geq 1$) individual at each 3rd video stream based on the number of request integrated hierarchies shown from a user terminal, n pieces — this — the server which has a distribution means to distribute the 3rd video stream, and a receiving means to receive the 3rd one video stream — this — it has the user terminal which has a decode means to decode the 3rd video stream, and a display means to display the this decoded signal.

[0009] As for a user terminal, according to other operation gestalten of this invention, it is desirable to have further a decision means for the data processing capacity of this user terminal and the communication facility of this user terminal to compute a request bit rate from the communication-band utilization condition of two or more communication link applications of operating on an available communication band and/or this user terminal, to determine that the number of integrated hierarchies will become the greatest bit rate to which the bit rate of the 3rd video stream does not exceed this request bit rate, and to notify this number of integrated hierarchies to the gateway or a server.

[0010] According to other operation gestalten of this invention, a distribution means to distribute the 3rd video stream in the gateway or a server The 3rd n video stream is distributed using the 2nd multicast channel, respectively. The receiving means of a user terminal the 2nd one multicast channel — identifying — this — modification of the number of integrated hierarchies is enabled at initiation and the halt list of reception of the 3rd video stream by notifying the registration to the 2nd multicast channel to the gateway or a server.

[0011] Moreover, according to other operation gestalten of this invention, a distribution means to distribute the 3rd video stream in the gateway or a server distributes the 3rd n video stream using the 1st unicast channel, respectively, and the receiving means of a user terminal enables modification of the number of integrated hierarchies at the initiation and the halt list of reception of the 3rd video stream which are distributed using a unicast channel.

[0012]

[Embodiment of the Invention] Below, the operation gestalt of this invention is explained to a detail using a drawing.

[0013] Drawing 1 is system configuration drawing of the 1st operation gestalt by this invention. As for this system, a server 1, the gateway 2, and a user terminal 3 are arranged on the communication network.

[0014] A server 1 consists of a video stream hierarchy coding function 11 and a video stream multicast channel distribution function 12. It encodes, after hierarchy separation is carried out m, and the video stream inputted into the video stream hierarchy coding function 11 is passed to the video stream multicast channel distribution function 12.

[0015] The gateway 2 consists of the video stream multicast channel reception function 13, a multicast channel integrated function 14, a video stream distribution function 15, and a user management function 20. The video stream by which hierarchy separation was carried out is distributed through the communication interface 31 between the server-gateways which are m multicast channels at the video stream multicast channel reception function 13 to m by the video stream multicast channel distribution function 12. Moreover, the number of request integrated hierarchies of a user terminal is notified to the user management function 20 by the advice interface 34 of the number of request integrated hierarchies, and is managed for every user. When there are n kinds of a user's numbers of request integrated hierarchies managed in the user management function 20, in the multicast channel integrated function 14, it is unified by n video streams and distributes to each user terminal through the communication interface between [of n] gateway-user terminals from the video stream distribution function 15.

[0016] User-terminal #1 consists of the video stream reception function 16, a video stream hierarchy coding decode function 17, a video stream display function 18, and a number decision function 19 of request integrated hierarchies. The video stream reception function 16 chooses the communication interface 33 between gateway-user terminals corresponding to the number of request integrated hierarchies of user-terminal #1 from among interfaces 32, and receives the video stream distributed on this interface 33. The video stream which received is decoded in the video stream hierarchy coding decode function 17, and is displayed in the video stream display function 18. Moreover, the number of request integrated hierarchies determined in the number decision function 19 of request integrated hierarchies is notified to the user management function 20 from the advice interface 34 of the number of request integrated hierarchies.

[0017] Drawing 2 is system configuration drawing of the 2nd operation gestalt by this invention. As for this system, the server 1 and the user terminal 3 are arranged on the communication network.

[0018] A server 1 consists of a video stream hierarchy coding function 11, a multicast channel integrated function 14, and the video stream distribution function 15 and the user management function 20. It encodes, after hierarchy separation is carried out m, and the video stream inputted into the video stream hierarchy coding function 11 is passed to the multicast channel integrated function 14. Moreover, the number of request integrated hierarchies of a user terminal is notified to the user management function 20 by the advice interface 34 of the number of request integrated hierarchies, and is managed for every user. When there are n kinds of a user's numbers of request integrated hierarchies managed in the user management function 20, in the multicast channel integrated function 14, it is unified by n video streams and distributes to each user terminal through the communication interface 32 between [of n] server-user terminals from the video stream distribution function 15.

[0019] User-terminal #1 consists of the video stream reception function 16, a video stream hierarchy coding decode function 17, a video stream display function 18, and a number decision function 19 of request integrated hierarchies. The video stream reception function 16 chooses the communication interface 33 between server-user terminals corresponding to the number of request integrated hierarchies of user-terminal #1 from among interfaces 32, and receives the video stream distributed on this interface 33. The video stream which received is decoded in the video stream hierarchy coding decode function 17, and is displayed in the video stream display function 18. Moreover, the number of request integrated hierarchies determined in the number decision function 19 of request integrated hierarchies is notified to the user management function 20 from the advice interface 34 of the number of request integrated hierarchies.

[0020] Drawing 3 is system configuration drawing of the 3rd operation gestalt by this invention. This drawing 3 has specified the mounting means of the number decision function 19 of request integration, the mounting means of the communication interface 32 between gateway-user terminals, and a means to choose the communication interface 33 between gateway-user

terminals of the interfaces 32, to drawing 1 .

[0021] The number decision function 19 of request integration computes a request bit rate from the communication-band utilization condition of two or more communication link applications of operating on the communication band where the data processing capacity of the user terminal concerned and the communication facility of this user terminal are available, and/or this user terminal, and it is determined that the number of integrated hierarchies will become the greatest bit rate which does not exceed this request bit rate.

[0022] The number of integrated hierarchies determined by the number decision function 19 of request integration is notified to the video stream reception function 16 from the several copies request integrated hierarchy Shiriuchi section interface 35 while it is notified to the user management function 20 through the advice interface 34 of the number of request integrated hierarchies. The communication interface 33 between gateway-user terminals corresponding to the number of request integrated hierarchies which had distributed the communication interface between gateway-user terminals which are n multicast channels using n multicast channels, and was notified in the video stream reception function 16 from the video stream distribution function 15 is identified, and registration to the multicast channel concerned is performed, and let a video stream be ability ready for receiving.

[0023] Drawing 4 is system configuration drawing of the 4th operation gestalt by this invention. This drawing 4 has specified the mounting means of the number decision function 19 of request integration, the mounting means of the communication interface 32 between gateway-user terminals, and a means to choose the communication interface 33 between gateway-user terminals of the interfaces 32, to drawing 1 .

[0024] The user-terminal identification information for the number of integrated hierarchies determined by the number decision function 19 of request integration and routing is notified to the user management function 20 through the advice interface 34 of the number of request integrated hierarchies. n video streams distributed from the video stream distribution function 15 are distributed using the communication interface between gateway-user terminals which are n unicast channels, identify the communication interface 33 between gateway-user terminals corresponding to the number of request integrated hierarchies and user-identification information which were notified in the video stream reception function 16, and make a video stream ability ready for receiving.

[0025] Drawing 5 is system configuration drawing of the 5th operation gestalt by this invention. This drawing 5 has specified the mounting means of the number decision function 19 of request integration, the mounting means of the communication interface 32 between server-user terminals, and a means to choose the communication interface 33 between server-user terminals of the interfaces 32, to drawing 2 .

[0026] The number of integrated hierarchies determined by the number decision function 19 of request integration is notified to the video stream reception function 16 from the several copies request integrated hierarchy Shiriuchi section interface 35 while it is notified to the user management function 20 through the advice interface 34 of the number of request integrated hierarchies. The communication interface 33 between server-user terminals corresponding to the number of request integrated hierarchies which had distributed the communication interface between server-user terminals which are n multicast channels using n multicast channels, and was notified in the video stream reception function 16 from the video stream distribution function 15 is identified, and registration to the multicast channel concerned is performed, and let a video stream be ability ready for receiving.

[0027] Drawing 6 is the block diagram which specified the mounting approach of the number decision function 19 of request integration, the mounting approach of the communication interface 32 between server-user terminals, and the approach of choosing the communication interface 33 between server-user terminals of the interfaces 32 in the configuration of drawing 2 .

[0028] The user-terminal identification information for the number of integrated hierarchies determined by the number decision function 19 of request integration and routing is notified to the user management function 20 through the advice interface 34 of the number of request

integrated hierarchies. n video streams distributed from the video stream distribution function 15 are distributed using the communication interface between gateway-user terminals which are n unicast channels, identify the communication interface 33 between server-user terminals corresponding to the number of request integrated hierarchies and user-identification information which were notified in the video stream reception function 16, and make a video stream ability ready for receiving.

[0029] According to this contractor, the various operation gestalten of the hierarchy coding video distribution system of this invention mentioned above can perform various modification, corrections, and abbreviations easily in the technical thought of this invention, and the range of a standpoint. The above-mentioned explanation is an example to the last, and it is not going to restrain it at all. This invention is restrained by only what is limited as a claim and its equal object.

[0030]

[Effect of the Invention] As mentioned above, as explained to the detail, according to the hierarchy coding video distribution system of this invention, a throughput becomes possible [performing composition and display processing of the video stream which flows the multicast channel top distributed on the Internet] also in a low receiving-user terminal like a small personal digital assistant.

[Translation done.]

* NOTICES *

JPO and INPIT are not responsible for any damages caused by the use of this translation.

- 1.This document has been translated by computer. So the translation may not reflect the original precisely.
- 2.*** shows the word which can not be translated.
- 3.In the drawings, any words are not translated.

DESCRIPTION OF DRAWINGS

[Brief Description of the Drawings]

[Drawing 1] It is system configuration drawing of the 1st operation gestalt by this invention.

[Drawing 2] It is system configuration drawing of the 2nd operation gestalt by this invention.

[Drawing 3] It is system configuration drawing of the 3rd operation gestalt by this invention.

[Drawing 4] It is system configuration drawing of the 4th operation gestalt by this invention.

[Drawing 5] It is system configuration drawing of the 5th operation gestalt by this invention.

[Drawing 6] It is system configuration drawing of the 6th operation gestalt by this invention.

[Description of Notations]

1 Server

2 Gateway

3 User Terminal

11 Video Stream Hierarchy Coding Function

12 Video Stream Multicast Channel Distribution Function

13 Video Stream Multicast Channel Reception Function

14 Multicast Channel Integrated Function

15 Video Stream Distribution Function

16 Video Stream Reception Function

17 Video Stream Hierarchy Coding Decode Function

18 Video Stream Display Function

19 The Number Decision Function of Request Integrated Hierarchies

20 User Management Function

31 Communication Interface between Server-Gateways

32 Communication Interface between Gateway-User Terminals

33 Communication Interface between Gateway-User Terminals

34 Advice Interface of the Number of Request Integrated Hierarchies

35 Several Copies Request Integrated Hierarchy Shiriuchi Section Interface

[Translation done.]

(19)日本国特許庁 (J P)

(12) 公開特許公報 (A)

(11)特許出願公開番号

特開2001-352533

(P2001-352533A)

(43)公開日 平成13年12月21日(2001.12.21)

(51)Int.Cl. ⁷	識別記号	F I	ターマコード(参考)
H 0 4 N 7/173	6 1 0	H 0 4 N 7/173	6 1 0 Z 5 C 0 5 9
	6 3 0		6 3 0 5 C 0 6 4
H 0 4 L 12/56		H 0 4 L 11/20	1 0 2 A 5 K 0 3 0
		13/00	3 0 9 Z 5 K 0 3 4
H 0 4 N 7/24		H 0 4 N 7/13	Z

審査請求 未請求 請求項の数8 O L (全12頁)

(21)出願番号 特願2000-170320(P2000-170320)

(22)出願日 平成12年6月7日(2000.6.7)

(71)出願人 000208891

ケイディーディーアイ株式会社

東京都新宿区西新宿二丁目3番2号

(72)発明者 森川 大補

埼玉県上福岡市大原二丁目1番15号 株式会社ケイディーディ研究所内

(72)発明者 太田 慎司

埼玉県上福岡市大原二丁目1番15号 株式会社ケイディーディ研究所内

(74)代理人 100074930

弁理士 山本 恵一

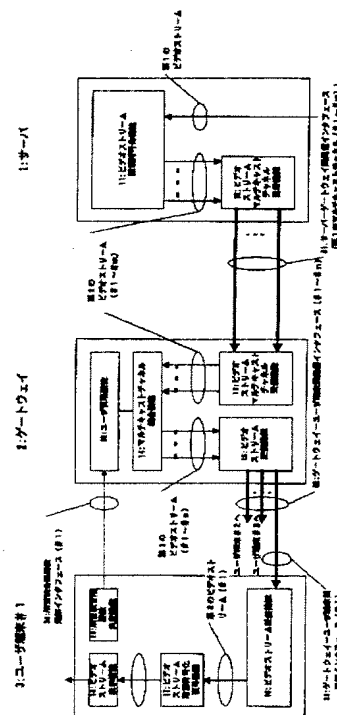
最終頁に続く

(54)【発明の名称】 階層符号化ビデオ配信システム

(57)【要約】

【課題】 受信側のユーザ端末において、階層分割した複数のIPマルチキャストチャンネルの受信、合成及び表示処理を行う際に、ユーザ端末の処理能力上の制約がない階層符号化ビデオ配信システムを提供する。

【解決手段】 第1のビデオストリームをm個の第2のビデオストリームに階層分離し、それぞれ第1のマルチキャストチャンネルを用いて配信するサーバと、m個の第1のマルチキャストチャンネルを用いてそれぞれの第2のビデオストリームを受信し、ユーザ端末から提示される所望統合階層数に基づいて、m個の第2のビデオストリームを、n個のユーザ端末に対してそれぞれの第3のビデオストリームに統合処理し、配信するゲートウェイと、1個の第3のビデオストリームを受信し、復号し、その信号を表示するユーザ端末とを有する。



【特許請求の範囲】

【請求項1】 第1のビデオストリームを m ($m \geq 1$)個の第2のビデオストリームに階層分離する分離手段と、該 m 個の第2のビデオストリームをそれぞれ第1のマルチキャストチャンネルを用いて配信する配信手段とを有するサーバと、

m 個の前記第1のマルチキャストチャンネルを用いてそれぞれの前記第2のビデオストリームを受信する受信手段と、ユーザ端末から提示される所望統合階層数に基づいて、前記 m 個の第2のビデオストリームを、 n ($n \geq 1$)個のユーザ端末に対してそれぞれの第3のビデオストリームに統合処理する統合手段と、 n 個の該第3のビデオストリームを配信する配信手段とを有するゲートウェイと、

1個の前記第3のビデオストリームを受信する受信手段と、該第3のビデオストリームを復号する復号手段と、該復号された信号を表示する表示手段とを有するユーザ端末とを有することを特徴とする階層符号化ビデオ配信システム。

【請求項2】 前記ユーザ端末は、該ユーザ端末のデータ処理能力、該ユーザ端末の通信機能が利用可能な通信帯域、及び／又は該ユーザ端末上で動作する複数の通信アプリケーションの通信帯域利用状態から所望ビットレートを算出し、前記第3のビデオストリームのビットレートが該所望ビットレートを超えない最大のビットレートとなるように統合階層数を決定し、該統合階層数を前記ゲートウェイへ通知する決定手段を更に有することを特徴とする請求項1に記載のシステム。

【請求項3】 前記ゲートウェイの前記配信手段は、前記 n 個の第3のビデオストリームをそれぞれ第2のマルチキャストチャンネルを用いて配信し、前記ユーザ端末の前記受信手段は、1個の前記第2のマルチキャストチャンネルを識別し、該第2のマルチキャストチャンネルに対する登録を前記ゲートウェイへ通知することにより、前記第3のビデオストリームの受信の開始及び停止並びに統合階層数の変更を可能とすることを特徴とする請求項1又は2に記載のシステム。

【請求項4】 前記ゲートウェイの前記配信手段は、前記 n 個の第3のビデオストリームをそれぞれ第1のユニキャストチャンネルを用いて配信し、前記ユーザ端末の前記受信手段は、前記ユニキャストチャンネルを用いて配信される第3のビデオストリームの受信の開始及び停止並びに統合階層数の変更を可能とすることを特徴とする請求項1又は2に記載のシステム。

【請求項5】 第1のビデオストリームを m ($m \geq 1$)個の第2のビデオストリームに階層分離する分離手段と、ユーザ端末から提示される所望統合階層数に基づいて、前記 m 個の第2のビデオストリームを、 n ($n \geq 1$)個のユーザ端末に対してそれぞれの第3のビデオストリームに統合処理する統合手段と、 n 個の該第3のビ

デオストリームを配信する配信手段とを有するサーバと、

1個の前記第3のビデオストリームを受信する受信手段と、該第3のビデオストリームを復号する復号手段と、該復号された信号を表示する表示手段とを有するユーザ端末とを有することを特徴とする階層符号化ビデオ配信システム。

【請求項6】 前記ユーザ端末は、該ユーザ端末のデータ処理能力、該ユーザ端末の通信機能が利用可能な通信帯域、及び／又は該ユーザ端末上で動作する複数の通信アプリケーションの通信帯域利用状態から所望ビットレートを算出し、前記第3のビデオストリームのビットレートが該所望ビットレートを超えない最大のビットレートとなるように統合階層数を決定し、該統合階層数を前記サーバへ通知する決定手段を更に有することを特徴とする請求項5に記載のシステム。

【請求項7】 前記サーバの前記配信手段は、前記 n 個の第3のビデオストリームをそれぞれ第2のマルチキャストチャンネルを用いて配信し、前記ユーザ端末の前記受信手段は、1個の前記第2のマルチキャストチャンネルを識別し、該第2のマルチキャストチャンネルに対する登録を前記サーバへ通知することにより、前記第3のビデオストリームの受信の開始及び停止並びに統合階層数の変更を可能とすることを特徴とする請求項5又は6に記載のシステム。

【請求項8】 前記サーバの前記配信手段は、前記 n 個の第3のビデオストリームをそれぞれ第1のユニキャストチャンネルを用いて配信し、前記ユーザ端末の前記受信手段は、前記ユニキャストチャンネルを用いて配信される第3のビデオストリームの受信の開始及び停止並びに統合階層数の変更を可能とすることを特徴とする請求項5又は6に記載のシステム。

【発明の詳細な説明】

【0001】

【発明の属する技術分野】本発明は、受信側ユーザ端末の能力と、インターネット、イントラネット、移動通信パケット等のIP網における通信回線の速度とに応じた、効率的な動画配信システムに関する。

【0002】

【従来の技術】従来、IPマルチキャストを利用したビデオ配信システムは、IPユニキャストを利用したビデオ配信システムに比べて、送信側サーバの負荷又はネットワーク上のデータ量を削減できるために、インターネット又はイントラネットにおいて、利用範囲が広がってきている。

【0003】しかし、単純なIPマルチキャストを利用したビデオ配信システムでは、受信側ユーザ端末の能力と回線速度とに応じた個別の対応ができない。このため、受信側端末ごとに適切な情報を受け取ることができると、サーバ側は、元のビデオストリームを、ビデ

オ再生に最低限必要となるデータを含む1つのビデオストリームと、画質を向上させるためのデータを含む複数のビデオストリームとに分割して、ビデオストリーム毎に別々のマルチキャストチャンネルで送信し、また、受信側ユーザ端末から必要とするマルチキャストチャンネルのみを中継ルータに要求することで、各受信ユーザ端末に応じたマルチキャストチャンネルを受信し、マルチキャストチャンネル上のビデオストリームを合成し、表示することを可能とした階層型ビデオ配信システムが提案及び実用化されている。参考文献としては、S.Sakazawa, Y.Takishima, M.Wada and K.Amano, Bandwidth-Adaptive Video Transmission Method for Heterogeneous Network Environment, Proceedings of International Workshop on New Video Media Technology, pp.49-54 (1997)酒澤茂之、滝嶋康弘、和田正裕：ビデオマルチキャストにおける符号化伝送制御方式、映像情報メディア学会誌、Vo 1.52, No.6, pp.863-870 (1998)がある。

【0004】

【発明が解決しようとする課題】しかし、前述した構成のシステムでは、送信ビデオストリームを階層分離して複数のマルチキャストチャンネルで送信し、受信側ユーザ端末の要求に従って登録したマルチキャストチャンネルからのビデオストリームを受信側ユーザ端末で合成及び表示することにより、受信側ユーザ端末の処理能力と回線速度との制限を緩和しているが、小型携帯端末のように受信ユーザ端末の処理能力が低い場合は、複数のマルチキャストチャンネルの受信、複数のビデオストリームの合成及び表示処理を行うことが難しい。また、受信側ユーザ端末の処理能力と通信回線速度とに応じて、所望のビデオストリームの配信データ量をユーザ側で設定する必要がある。

【0005】そこで、本発明は、受信ユーザ端末において階層分割した複数のIPマルチキャストチャンネルの受信、合成及び表示処理を行う際にユーザ端末の処理能力上の制約があるという問題点を除去することを目的とする。

【0006】

【課題を解決するための手段】本発明のシステムは、マルチキャストチャンネル合成処理機能を、通信網上に配備されるゲートウェイ若しくはサーバに設けることを特徴とする。また、受信ユーザ端末の能力や通信回線速度から求められる所望ビットレートに応じた統合階層数を、ゲートウェイ若しくはサーバに通知することにより、ユーザ端末のデータ処理能力及び／又は通信回線速度の変更に伴って、適応的に統合階層分のマルチキャストデータを配信することを可能とする通知インタフェースを設けたことを特徴とする。

【0007】従って、本発明の階層符号化ビデオ配信システムは、第1のビデオストリームを m ($m \geq 1$) 個の第2のビデオストリームに階層分離する分離手段と、該

m 個の第2のビデオストリームをそれぞれ第1のマルチキャストチャンネルを用いて配信する配信手段とを有するサーバと、 m 個の第1のマルチキャストチャンネルを用いてそれぞれの第2のビデオストリームを受信する受信手段と、ユーザ端末から提示される所望統合階層数に基づいて、 m 個の第2のビデオストリームを、 n ($n \geq 1$) 個のユーザ端末に対してそれぞれの第3のビデオストリームに統合処理する統合手段と、 n 個の該第3のビデオストリームを配信する配信手段とを有するゲートウェイと、1個の第3のビデオストリームを受信する受信手段と、該第3のビデオストリームを復号する復号手段と、該復号された信号を表示する表示手段とを有するユーザ端末とを有する。

【0008】また、本発明のシステムは、第1のビデオストリームを m ($m \geq 1$) 個の第2のビデオストリームに階層分離する分離手段と、ユーザ端末から提示される所望統合階層数に基づいて、 m 個の第2のビデオストリームを、 n ($n \geq 1$) 個のユーザ端末に対してそれぞれの第3のビデオストリームに統合処理する統合手段と、 n 個の該第3のビデオストリームを配信する配信手段とを有するサーバと、1個の第3のビデオストリームを受信する受信手段と、該第3のビデオストリームを復号する復号手段と、該復号された信号を表示する表示手段とを有するユーザ端末とを有する。

【0009】本発明の他の実施形態によれば、ユーザ端末は、該ユーザ端末のデータ処理能力、該ユーザ端末の通信機能が利用可能な通信帯域、及び／又は該ユーザ端末上で動作する複数の通信アプリケーションの通信帯域利用状態から所望ビットレートを算出し、第3のビデオストリームのビットレートが該所望ビットレートを超えない最大のビットレートとなるように統合階層数を決定し、該統合階層数をゲートウェイ又はサーバへ通知する決定手段を更に有するのが好ましい。

【0010】本発明の他の実施形態によれば、ゲートウェイ又はサーバにおける第3のビデオストリームを配信する配信手段は、 n 個の第3のビデオストリームをそれぞれ第2のマルチキャストチャンネルを用いて配信し、ユーザ端末の受信手段は、1個の第2のマルチキャストチャンネルを識別し、該第2のマルチキャストチャンネルに対する登録をゲートウェイ又はサーバへ通知することにより、第3のビデオストリームの受信の開始及び停止並びに統合階層数の変更を可能とする。

【0011】また、本発明の他の実施形態によれば、ゲートウェイ又はサーバにおける第3のビデオストリームを配信する配信手段は、 n 個の第3のビデオストリームをそれぞれ第1のユニキャストチャンネルを用いて配信し、ユーザ端末の受信手段は、ユニキャストチャンネルを用いて配信される第3のビデオストリームの受信の開始及び停止並びに統合階層数の変更を可能とする。

【0012】

【発明の実施の形態】以下では、図面を用いて、本発明の実施形態を詳細に説明する。

【0013】図1は、本発明による第1の実施形態のシステム構成図である。該システムは、サーバ1、ゲートウェイ2及びユーザ端末3が通信ネットワーク上に配備されている。

【0014】サーバ1は、ビデオストリーム階層符号化機能11と、ビデオストリームマルチキャストチャンネル配信機能12から構成される。ビデオストリーム階層符号化機能11へ入力されたビデオストリームはm本に階層分離されたのち符号化され、ビデオストリームマルチキャストチャンネル配信機能12へ渡される。

【0015】ゲートウェイ2は、ビデオストリームマルチキャストチャンネル受信機能13と、マルチキャストチャンネル統合機能14と、ビデオストリーム配信機能15と、ユーザ管理機能20から構成される。ビデオストリームマルチキャストチャンネル配信機能12でm本に階層分離されたビデオストリームは、m本のマルチキャストチャンネルであるサーバゲートウェイ間通信インタフェース31を通してビデオストリームマルチキャストチャンネル受信機能13に配信される。また、ユーザ端末の所望統合階層数は、所望統合階層数通知インタフェース34によりユーザ管理機能20へ通知され、ユーザごとに管理される。ユーザ管理機能20において管理されるユーザの所望統合階層数がn通りあった場合、マルチキャストチャンネル統合機能14において、n本のビデオストリームに統合され、ビデオストリーム配信機能15からn本のゲートウェイユーザ端末間通信インタフェースを通じて、各ユーザ端末へ配信される。

【0016】ユーザ端末#1は、ビデオストリーム受信機能16と、ビデオストリーム階層符号化復号機能17と、ビデオストリーム表示機能18と、所望統合階層数決定機能19から構成される。ビデオストリーム受信機能16は、インタフェース32のうちからユーザ端末#1の所望統合階層数に対応するゲートウェイユーザ端末間通信インタフェース33を選択し、該インタフェース33上で配信されるビデオストリームを受信する。受信したビデオストリームは、ビデオストリーム階層符号化復号機能17において復号し、ビデオストリーム表示機能18において表示する。また、所望統合階層数決定機能19において決定した所望統合階層数を所望統合階層数通知インタフェース34からユーザ管理機能20へ通知する。

【0017】図2は、本発明による第2の実施形態のシステム構成図である。該システムは、サーバ1及びユーザ端末3が通信ネットワーク上に配備されている。

【0018】サーバ1は、ビデオストリーム階層符号化機能11と、マルチキャストチャンネル統合機能14と、ビデオストリーム配信機能15及びユーザ管理機能20から構成される。ビデオストリーム階層符号化機能11

へ入力されたビデオストリームはm本に階層分離されたのち符号化され、マルチキャストチャンネル統合機能14へ渡される。また、ユーザ端末の所望統合階層数は、所望統合階層数通知インタフェース34によりユーザ管理機能20へ通知され、ユーザごとに管理される。ユーザ管理機能20において管理されるユーザの所望統合階層数がn通りあった場合、マルチキャストチャンネル統合機能14において、n本のビデオストリームに統合され、ビデオストリーム配信機能15からn本のサーバユーザ端末間通信インタフェース32を通じて、各ユーザ端末へ配信される。

【0019】ユーザ端末#1は、ビデオストリーム受信機能16と、ビデオストリーム階層符号化復号機能17と、ビデオストリーム表示機能18と、所望統合階層数決定機能19から構成される。ビデオストリーム受信機能16は、インタフェース32のうちからユーザ端末#1の所望統合階層数に対応するサーバユーザ端末間通信インタフェース33を選択し、該インタフェース33上で配信されるビデオストリームを受信する。受信したビデオストリームは、ビデオストリーム階層符号化復号機能17において復号し、ビデオストリーム表示機能18において表示する。また、所望統合階層数決定機能19において決定した所望統合階層数を所望統合階層数通知インタフェース34からユーザ管理機能20へ通知する。

【0020】図3は、本発明による第3の実施形態のシステム構成図である。該図3は、図1に対して、所望統合階層数決定機能19の実装手段と、ゲートウェイユーザ端末間通信インタフェース32の実装手段と、インタフェース32のうちのゲートウェイユーザ端末間通信インタフェース33を選択する手段を規定している。

【0021】所望統合階層数決定機能19は、当該ユーザ端末のデータ処理能力、該ユーザ端末の通信機能が利用可能な通信帯域、及び/又は該ユーザ端末上で動作する複数の通信アプリケーションの通信帯域利用状態から所望ビットレートを算出し、同所望ビットレートを超えない最大のビットレートになるように統合階層数を決定する。

【0022】所望統合階層数決定機能19で決定された統合階層数は、所望統合階層数通知インタフェース34を通じてユーザ管理機能20へ通知されるとともに、所望統合階層数通知内部インタフェース35からビデオストリーム受信機能16へ通知される。ビデオストリーム配信機能15からn本のマルチキャストチャンネルであるゲートウェイユーザ端末間通信インタフェースは、n本のマルチキャストチャンネルを用いて配信しており、ビデオストリーム受信機能16において、通知された所望統合階層数に対応するゲートウェイユーザ端末間通信インタフェース33を識別し、当該マルチキャストチャンネルへの登録を行い、ビデオストリームを受信可能とする。

【0023】図4は、本発明による第4の実施形態のシステム構成図である。該図4は、図1に対して、所望統合数決定機能19の実装手段と、ゲートウェイユーザ端末間通信インタフェース32の実装手段と、インタフェース32のうちのゲートウェイユーザ端末間通信インタフェース33を選択する手段とを規定している。

【0024】所望統合数決定機能19で決定された統合階層数及び、ルーティングのためのユーザ端末識別情報は、所望統合階層数通知インタフェース34を通じてユーザ管理機能20へ通知される。ビデオストリーム配信機能15から配信されるn本のビデオストリームは、n本のユニキャストチャンネルであるゲートウェイユーザ端末間通信インタフェースを用いて配信され、ビデオストリーム受信機能16において、通知された所望統合階層数及びユーザ識別情報に対応するゲートウェイユーザ端末間通信インタフェース33を識別し、ビデオストリームを受信可能とする。

【0025】図5は、本発明による第5の実施形態のシステム構成図である。該図5は、図2に対して、所望統合数決定機能19の実装手段と、サーバユーザ端末間通信インタフェース32の実装手段と、インタフェース32のうちのサーバユーザ端末間通信インタフェース33を選択する手段とを規定している。

【0026】所望統合数決定機能19で決定された統合階層数は、所望統合階層数通知インタフェース34を通じてユーザ管理機能20へ通知されるとともに、所望統合階層数通知内部インタフェース35からビデオストリーム受信機能16へ通知される。ビデオストリーム配信機能15からn本のマルチキャストチャンネルであるサーバユーザ端末間通信インタフェースは、n本のマルチキャストチャンネルを用いて配信しており、ビデオストリーム受信機能16において、通知された所望統合階層数に対応するサーバユーザ端末間通信インタフェース33を識別し、当該マルチキャストチャンネルへの登録を行い、ビデオストリームを受信可能とする。

【0027】図6は、図2の構成において、所望統合数決定機能19の実装方法と、サーバユーザ端末間通信インタフェース32の実装方法と、インタフェース32のうちのサーバユーザ端末間通信インタフェース33を選択する方法を規定した構成図である。

【0028】所望統合数決定機能19で決定された統合階層数及び、ルーティングのためのユーザ端末識別情報は、所望統合階層数通知インタフェース34を通じてユーザ管理機能20へ通知される。ビデオストリーム配信機能15から配信されるn本のビデオストリームは、n本のユニキャストチャンネルであるゲートウェイユーザ端末間通信インタフェースを用いて配信され、ビデオストリーム受信機能16において、通知された所望統合階層数及びユーザ識別情報に対応するサーバユーザ端末間通信インタフェース33を識別し、ビデオストリーム

を受信可能とする。

【0029】前述した本発明の階層符号化ビデオ配信システムの種々の実施形態は、本発明の技術思想及び見地の範囲の中で、当業者によれば種々の変更、修正及び省略を容易に行うことができる。前述の説明はあくまで例であって、何ら制約しようとするものではない。本発明は、特許請求の範囲及びその均等物として限定するもののみ制約される。

【0030】

10 【発明の効果】以上、詳細に説明したように、本発明の階層符号化ビデオ配信システムによれば、小型携帯端末のように処理能力が低い受信ユーザ端末においても、インターネット上で配信されているマルチキャストチャンネル上を流れるビデオストリームの合成及び表示処理を行うことが可能となる。

【図面の簡単な説明】

【図1】本発明による第1の実施形態のシステム構成図である。

20 【図2】本発明による第2の実施形態のシステム構成図である。

【図3】本発明による第3の実施形態のシステム構成図である。

【図4】本発明による第4の実施形態のシステム構成図である。

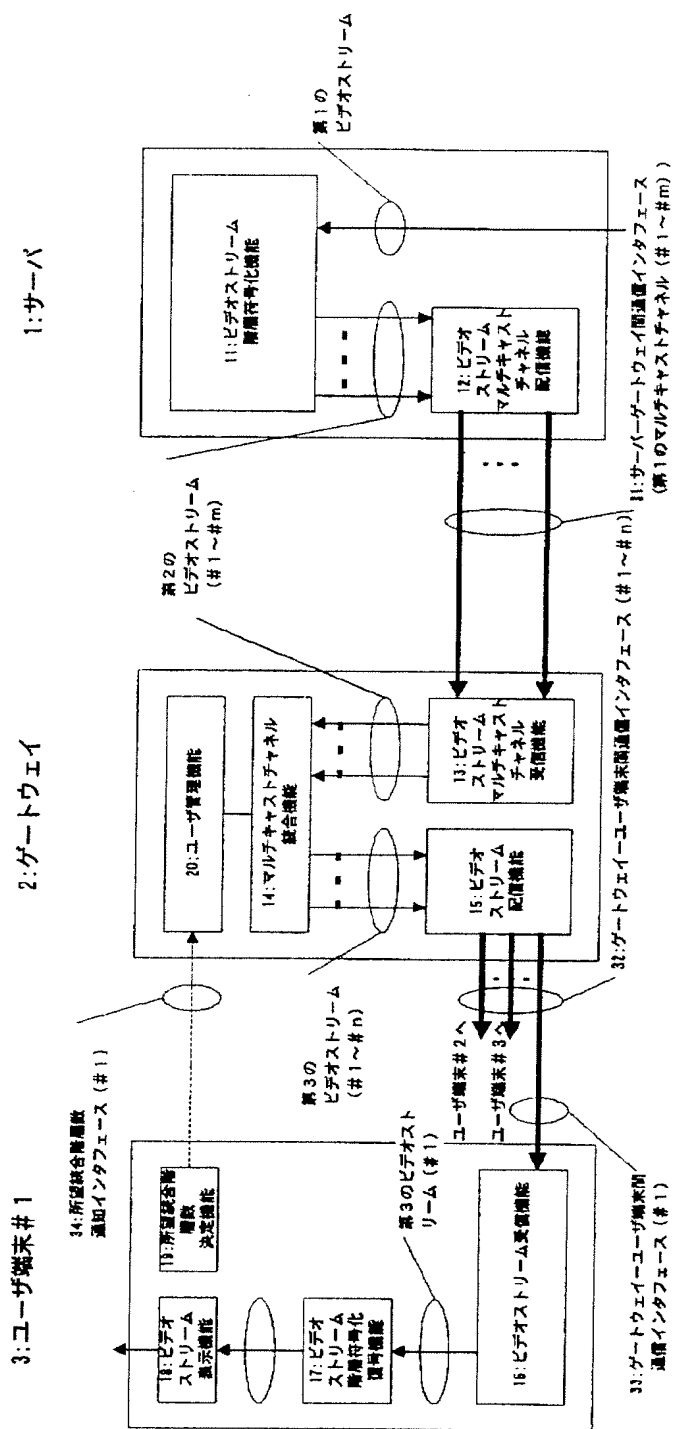
【図5】本発明による第5の実施形態のシステム構成図である。

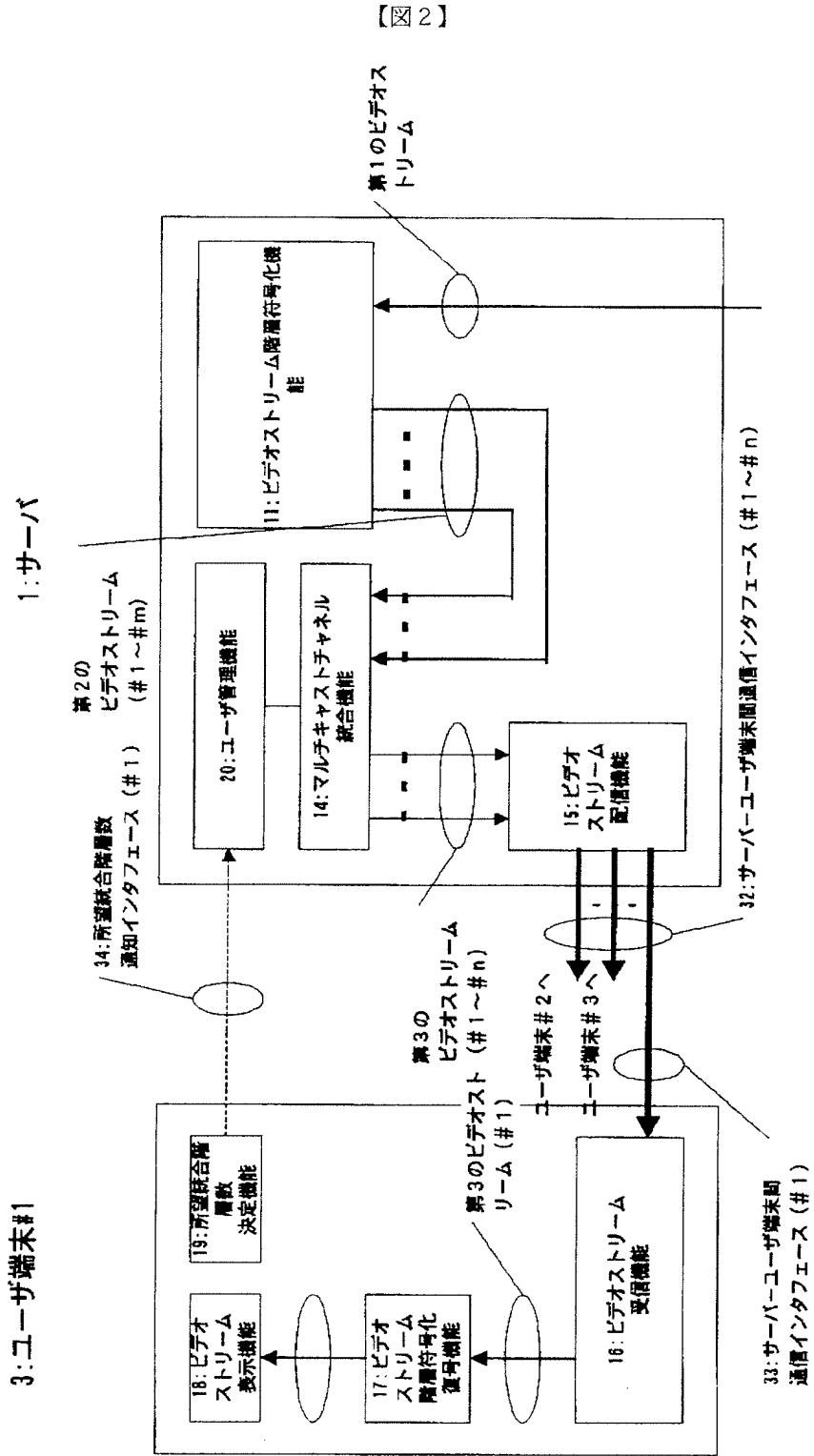
【図6】本発明による第6の実施形態のシステム構成図である。

【符号の説明】

- 1 サーバ
- 2 ゲートウェイ
- 3 ユーザ端末
- 11 ビデオストリーム階層符号化機能
- 12 ビデオストリームマルチキャストチャンネル配信機能
- 13 ビデオストリームマルチキャストチャンネル受信機能
- 14 マルチキャストチャンネル統合機能
- 15 ビデオストリーム配信機能
- 16 ビデオストリーム受信機能
- 17 ビデオストリーム階層符号化復号機能
- 18 ビデオストリーム表示機能
- 19 所望統合階層数決定機能
- 20 ユーザ管理機能
- 31 サーバゲートウェイ間通信インタフェース
- 32 ゲートウェイユーザ端末間通信インタフェース
- 33 ゲートウェイユーザ端末間通信インタフェース
- 34 所望統合階層数通知インタフェース
- 35 所望統合階層数通知内部インタフェース

【図1】

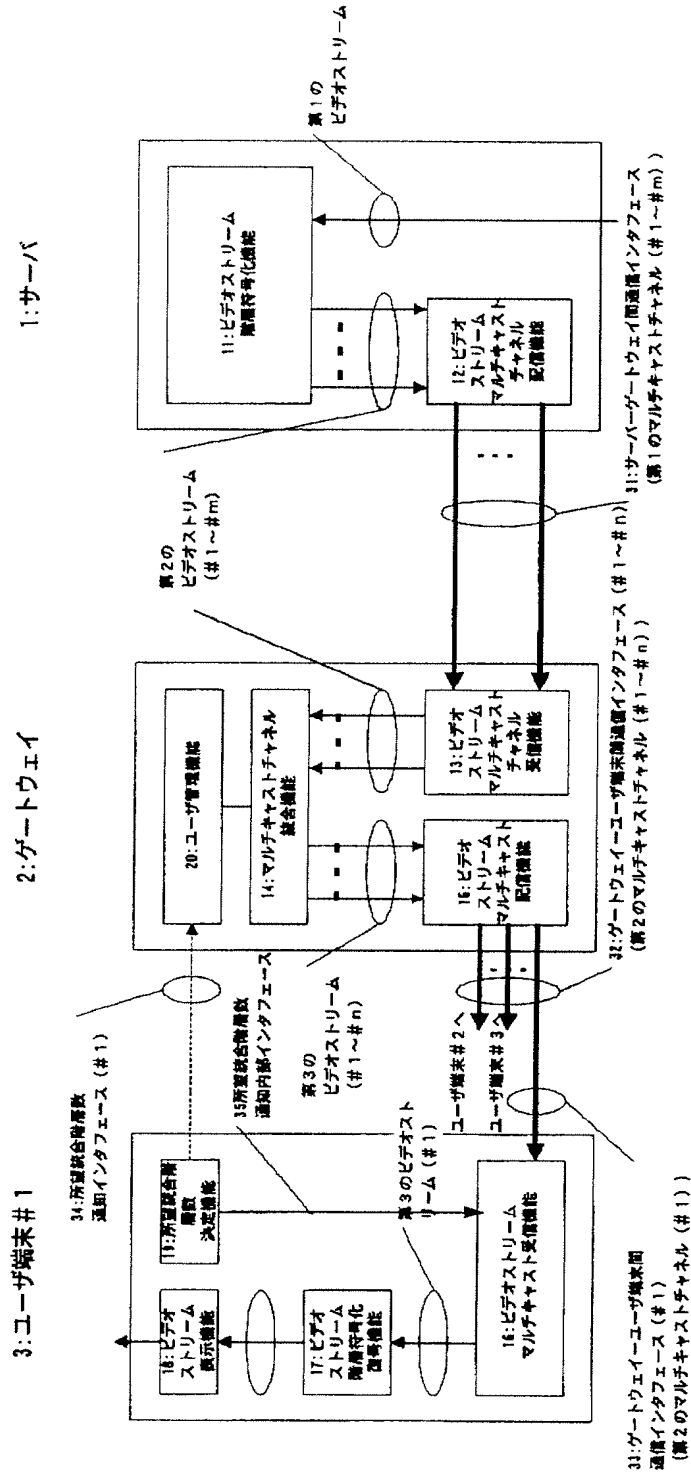




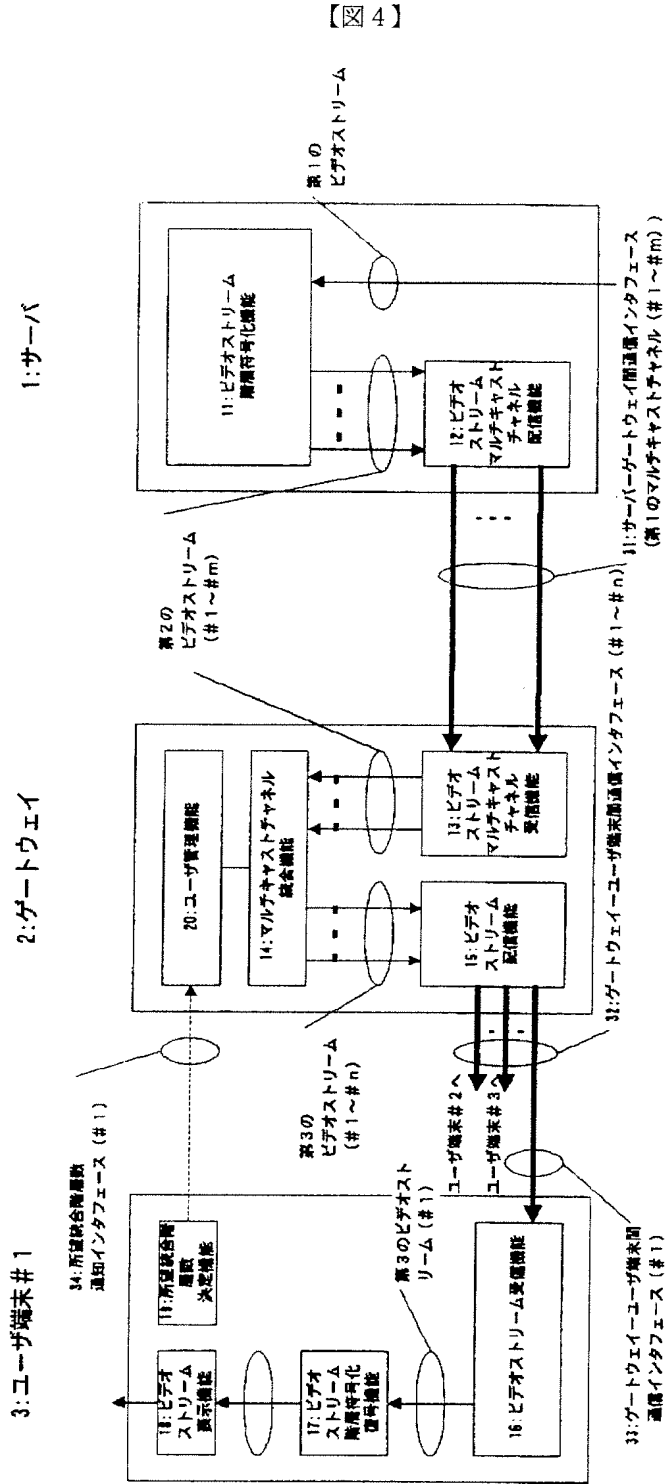
【図2】

(8)

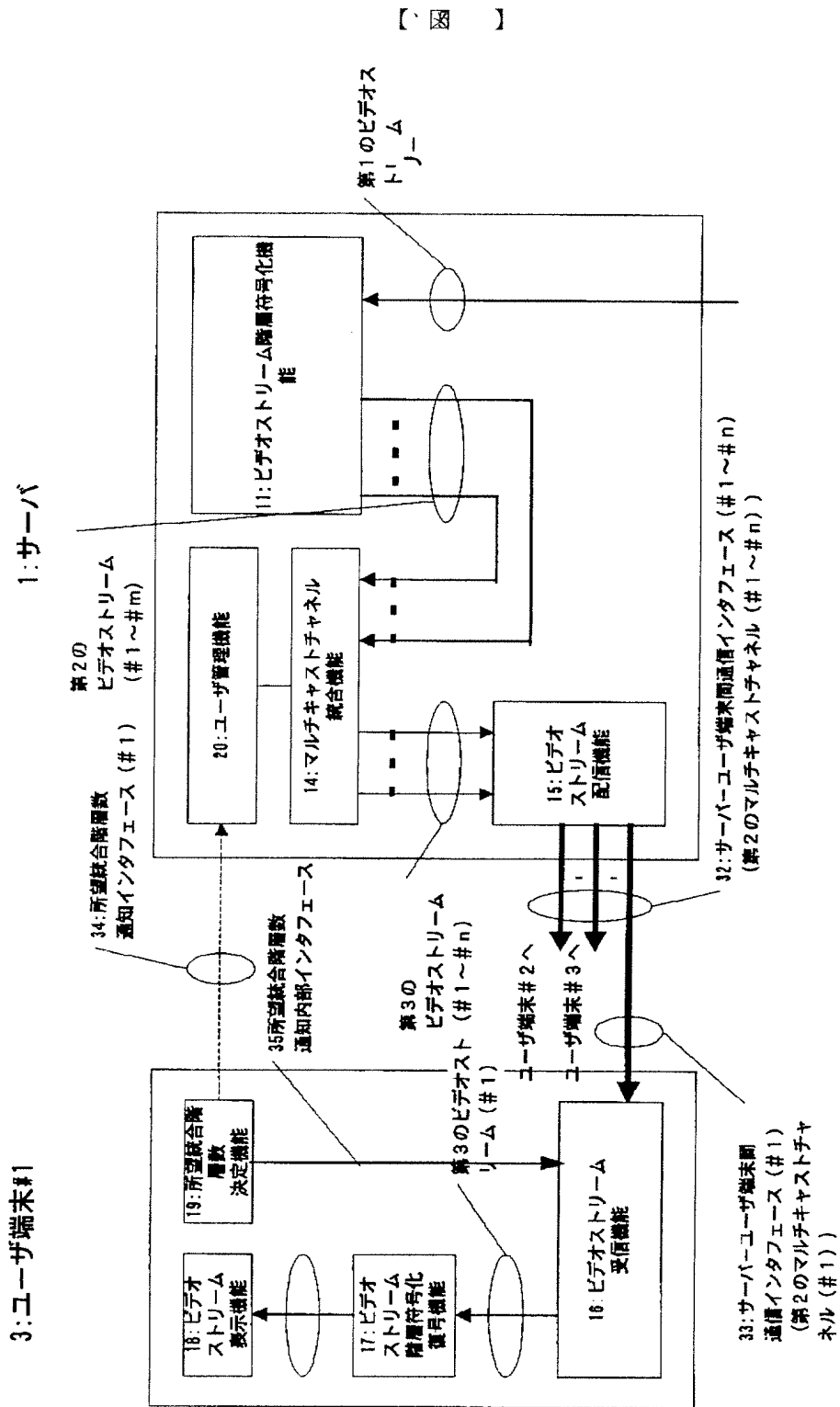
【図3】



31: ゲートウェイ-ユーザ端末間通信インタフェース (第2のマルチキャストチャネル (#1~#n))
 (第2のマルチキャストチャネル (#1))

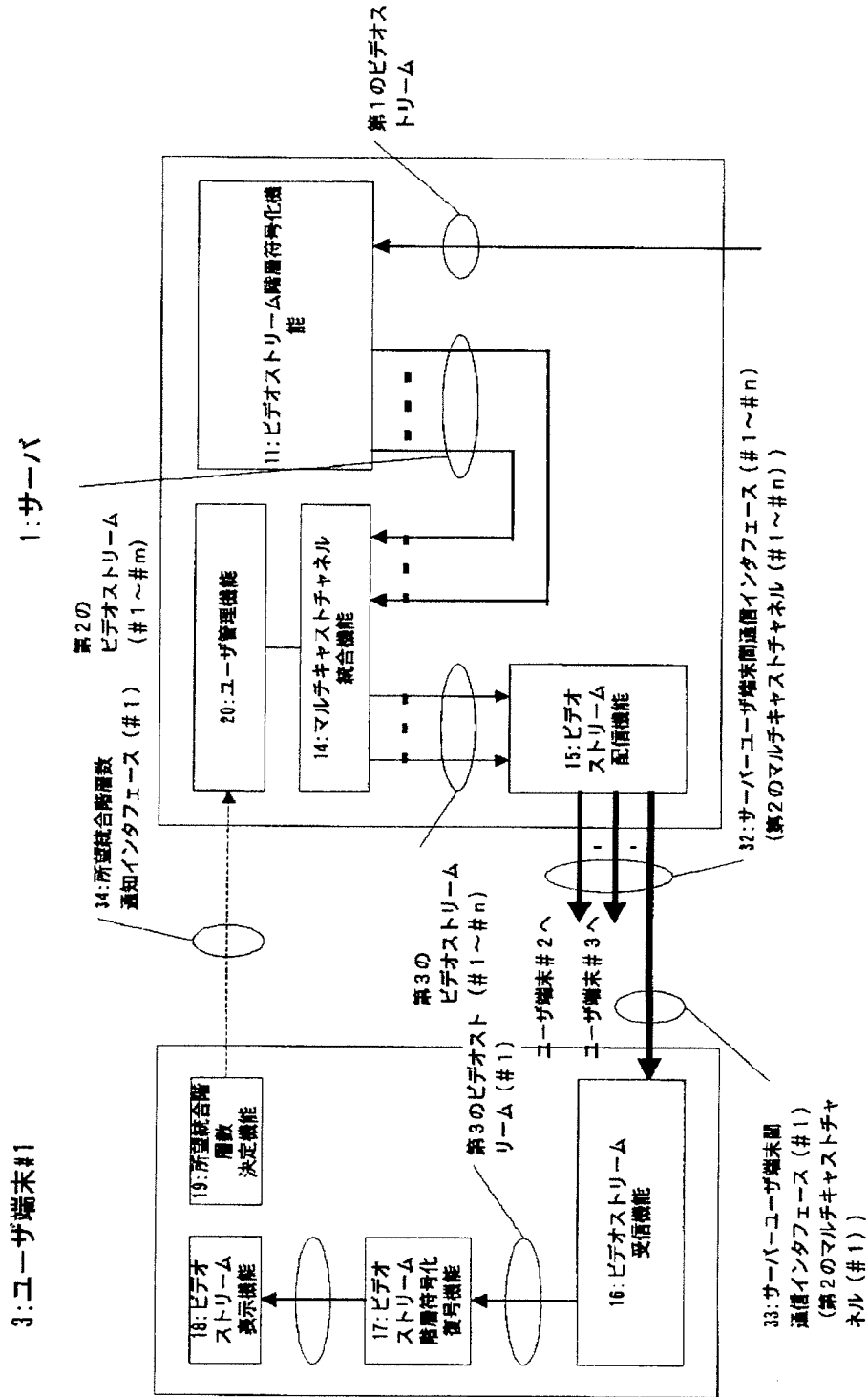


【図4】



【 図 】

【図6】



フロントページの続き

- (72)発明者 酒澤 茂之
埼玉県上福岡市大原二丁目1番15号 株式
会社ケイディディ研究所内
- (72)発明者 中村 初
東京都新宿区西新宿2丁目3番2号ケイデ
ィディ株式会社内
- (72)発明者 藤野 貴之
東京都新宿区西新宿2丁目3番2号ケイデ
ィディ株式会社内

Fターム(参考) 5C059 KK00 RA08 RE00 SS08 UA02
UA05
5C064 BA07 BB05 BC10 BC16 BC20
BD02 BD08
5K030 GA03 HA08 HB02 KA06 KA19
LA03 LA07 LD05 LE11
5K034 AA10 BB07 CC02 DD02 HH21
HH64 KK07 KK25 MM11 SS02